



Multiple Pulse (MP) Disk Varistors

for the Protection of Consumer and Industrial Power Supplies

Metal oxide varistors of the newly developed MP series are designed to be used in power supplies as the primary protection against low-level repetitive surge currents.

Their optimized design relies on a modified manufacturing process using existing ceramic recipes that results in an improved derating performance over time compared to standard varistor series.

These protective components are particularly suited for applications in which repetitive surges are now specified by regulatory authorities in switch-mode power supplies, drives and general overvoltage protection modules.

The extensive range which is already recognized by UL as type 2 and type 3 SPD components, respectively, and by VDE

to Annex Q of IEC 60950-1 cover all standard voltage supply ratings.

AdvanceD-MP series, 14 mm disk

- AC voltage range from 130 to 680 V AC
- Listed under UL® 1449 3rd Edition for type 2 and 3 applications
- Tested in accordance to IEC 61051-2
- VDE certified to Annex Q of IEC 60950-1
- Suitable for industrial applications requiring compliance to UL® 508C, UL® 840

Options

Disk diameters of 10 and 20 mm are also available

Multiple Pulse (MP) Disk Varistors

Technical data

Ordering code	B72214P...	2131K101	2141K101	2151K101	2171K101	2211K101	2231K101	2251K101	2271K101
Type	SIOV-S14K...	130E2K1	140E2K1	150E2K1	175E2K1	210E2K1	230E2K1	250E2K1	275E2K1

Dimensions

d_{max}	mm	16.0	16.0	16.0	16.0	16.0	16.0	16.0	16.0
h_{max}	mm	20.0	20.0	20.0	20.0	20.0	20.0	20.0	20.0
s_{max}	mm	4.7	4.8	4.9	5.1	5.4	5.6	5.7	5.9
$a_{\pm 1}$	mm	2.0	2.1	2.2	2.4	2.7	2.9	3.0	3.2

Maximum ratings @ TA = 25 °C

V_{RMS}	V	130	140	150	175	210	230	250	275
V_{DC}	V	170	180	200	225	270	300	320	350
i_{max} @ 8/20 μs	A	6000	6000	6000	6000	6000	6000	6000	6000
W_{max} @ 2 ms	J	60	65	70	80	95	105	115	130
P_{max}	W	0.6	0.6	0.6	0.6	0.6	0.6	0.6	0.6

Characteristics @ TA = 25 °C

V_V @ 1 mA	V	205	220	240	270	330	360	390	430
ΔV_V @ 1 mA	%	± 10	± 10	± 10	± 10	± 10	± 10	± 10	± 10

Maximum clamping voltage

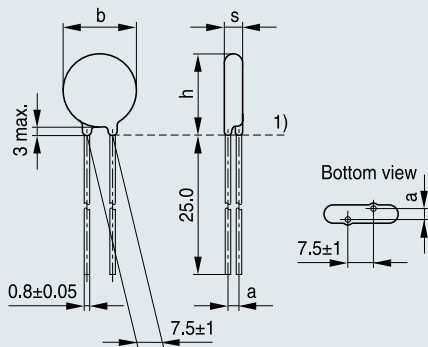
v_C @ i_C	V	340	360	395	455	545	595	650	710
i_C	A	50	50	50	50	50	50	50	50
C_{typ} @ 1 kHz	pF	760	715	670	575	375	340	320	290

Duty cycle surge rating @ (8/20 μs)

3 kA ¹⁾ (I_{nom})	times	40	40	40	40	40	40	40	40
750 A	times	800	800	800	800	800	800	800	800

¹⁾ Tested in accordance with UL 1449, Edition 3, type 2 requirements.

Dimensional drawing



1) Seating plane to IEC 60717

VAR0660-S-E

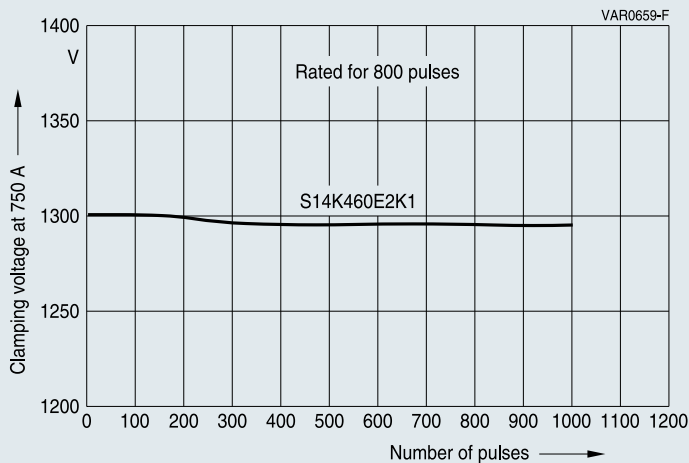
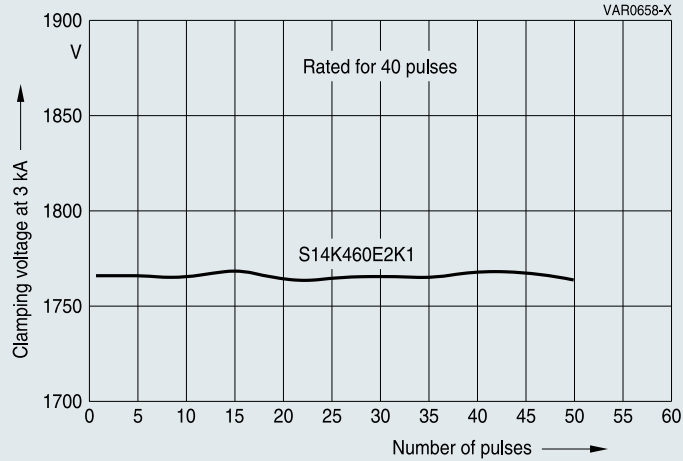
Multiple Pulse (MP) Disk Varistors

2301K101	2321K101	2351K101	2381K101	2421K101	2461K101	2511K101	2551K101	2621K101	2681K101
300E2K1	320E2K1	350E2K1	385E2K1	420E2K1	460E2K1	510E2K1	550E2K1	625E2K1	680E2K1
16.0	16.0	16.5	16.5	16.5	16.5	17.0	17.0	17.0	17.0
20.0	20.0	20.5	20.5	20.5	20.5	21.0	21.0	21.0	21.0
6.1	6.3	6.7	7.7	8.2	8.5	8.9	9.4	9.9	10.5
3.5	3.7	4.1	4.4	4.7	5.1	5.4	5.9	6.4	7.0
300	320	350	385	420	460	510	550	625	680
385	420	460	505	560	615	670	745	825	895
6000	6000	6000	6000	6000	6000	6000	6000	6000	6000
140	150	165	180	190	200	200	220	240	260
0.6	0.6	0.6	0.6	0.6	0.6	0.6	0.6	0.6	0.6
470	510	560	620	680	750	820	910	1000	1100
±10	±10	±10	±10	±10	±10	±10	±10	±10	±10
775	840	910	1025	1120	1240	1355	1500	1650	1815
50	50	50	50	50	50	50	50	50	50
285	280	260	240	210	180	170	155	140	130
40	40	40	40	40	40	15	15	15	15
800	800	800	800	800	800	500	500	500	500

Multiple Pulse

Multiple Pulse (MP) Disk Varistors

Typical repetitive surge current capability



Symbol and terms

Symbol	Term	Symbol	Term
C	Capacitance	V_{clamp}	Clamping voltage
C_{typ}	Typical capacitance	$V_{C, max}$	Maximum clamping voltage at specified current i_c
i	Current	V_{DC}	DC operating voltage
i_c	Current at which $V_{C, max}$ is measured	V_{max}	Maximum voltage
i_{max}	Maximum surge current (also termed peak current)	V_{RMS}	AC operating voltage, root-mean-square value
I_{nom}	Nominal discharge current	V_V	Varistor voltage
P_{max}	Maximum average power dissipation	ΔV_V	Tolerance of varistor voltage
T_A	Ambient temperature	W_{max}	Maximum energy absorption
v	Voltage	e	Lead spacing

Important information: Some parts of this publication contain statements about the suitability of our products for certain areas of application. These statements are based on our knowledge of typical requirements that are often placed on our products. We expressly point out that these statements cannot be regarded as binding statements about the suitability of our products for a particular customer application. It is incumbent on the customer to check and decide whether a product is suitable for use in a particular application. This publication is only a brief product survey which may be changed from time to time. Our products are described in detail in our data sheets. The Important Notes (www.epcos.com/ImportantNotes) and the product-specific warnings and cautions must be observed. All relevant information is available through our sales offices.