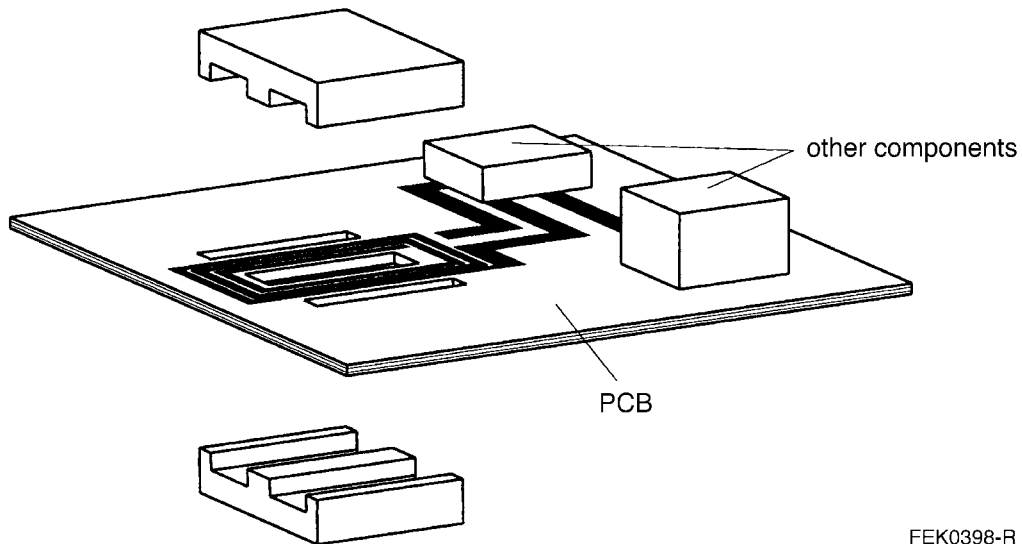


Example of an assembly set

1 Total integration

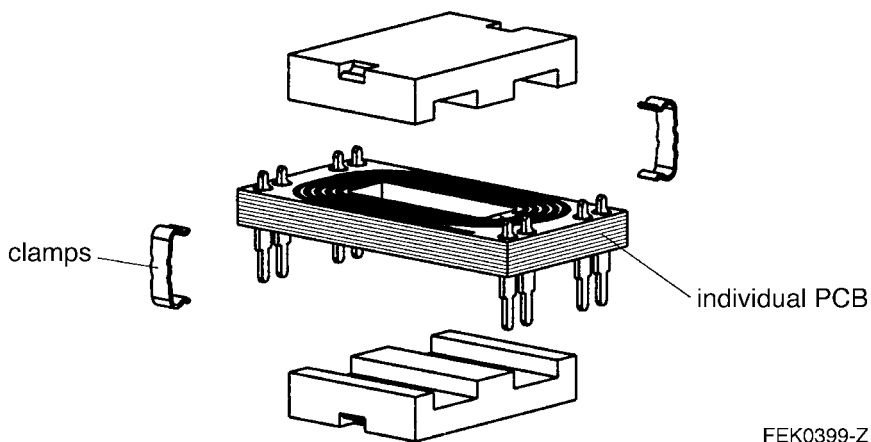
Assembling by gluing technology (ELP without clamp recess)



FEK0398-R

2 Individual integration

Assembling by clamping technology (ELP with clamp recess)



FEK0399-Z