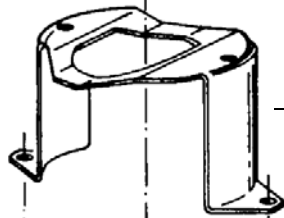
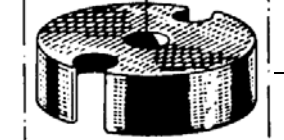
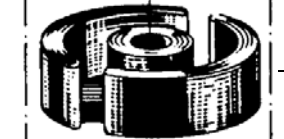



P 41 × 25

Core and accessories

Individual parts	Part no.	
	Yoke	B65623
	Core	B65621
	Core	B65621
	Base plate with 2 tubular rivets	B65623

FPK0333-B

Example of an assembly set