



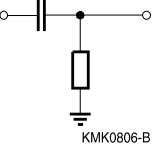
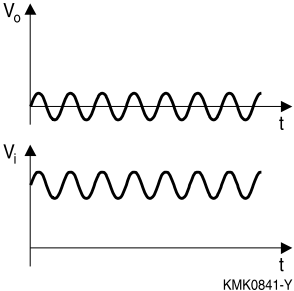
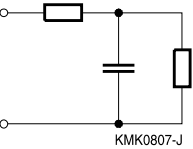
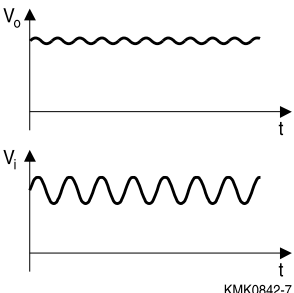
Film Capacitors

Typical applications

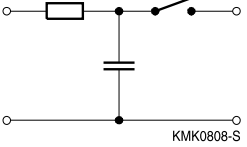
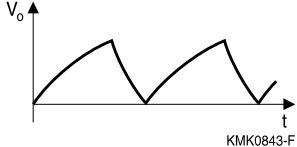
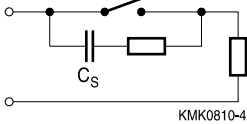

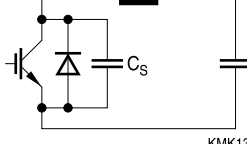
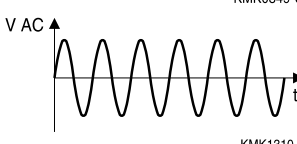
Date: May 2009

Typical applications

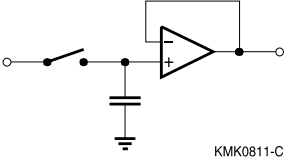
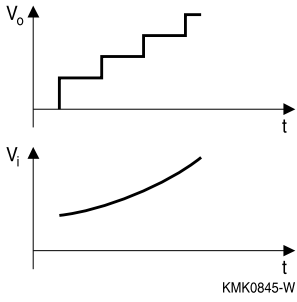
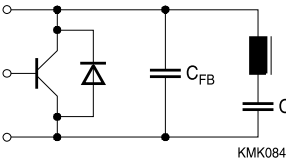
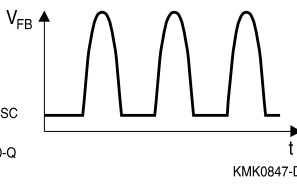
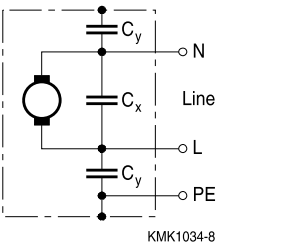
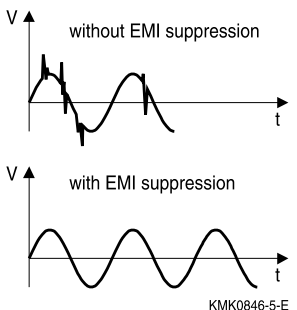
Typical applications of film capacitors

Application	Requirements	Series
Blocking / Coupling		
 <p>KMK0806-B</p>	 <p>KMK0841-Y</p>	High R_{ins} Low L_S MKT B32520...529 B32560...564 B32591...594
<p>The capacitor acts as a high-pass filter:</p> <ul style="list-style-type: none"> - Preventing DC voltages (blocking) - Transferring only the AC load (coupling) 		
Bypass / Decoupling / DC link / Smoothing		
 <p>KMK0807-J</p>	 <p>KMK0842-7</p>	High R_{ins} Low L_S MKT B32520...529 B32560...564 B32591...594 B32231...232 MKP B32651...656 B32612...614 B32671Z...673Z B32674...678 B32774...778
<p>The capacitor acts as a low-pass filter, preventing the transmission of AC voltages, suppressing fast transient changes and providing enough energy to the load.</p>		

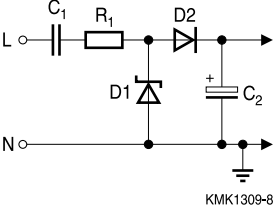
Typical applications

Application	Requirements	Series
Timing / Energy storage / Ignition		
  <p>The capacitor stores a charge until a specific amount of time (time delay) has elapsed. The capacitor stores a charge and then releases it in a short energetic pulse.</p>	<p>Good pulse characteristics</p>	<p>MKP B32620...621 B32651...656 B32612...614 B32669 B32671Z...673Z B32674...678 B32774...778</p> <p>MFP B32686A B32632...634</p> <p>MKT B32561...564 B32572...573</p>
Snubbing / Resonant		
    <p>C_S (Snubber): Capacitor protects semiconductors from over-voltages by high current switching. C_R (Resonant): LC system oscillates at a certain frequency.</p>	<p>Low $\tan \delta$ Good pulse characteristics</p>	<p>MKP B32651...656 B32656S B32671L...672L</p> <p>MFP B32686A B32686S B32632...634</p>

Typical applications

Application	Requirements	Series
<p>Sample and hold</p>   <p>The capacitor stores a voltage until a sample is taken.</p>	<p>High R_{ins} Low dielectric absorption</p>	<p>MKP B32656S</p> <p>MFP B32686S</p>
<p>Flyback</p>   <p>When the deflection coil current flows into the flyback capacitor (C_{FB}), the electron beam is rapidly shifted from the right to the left side of the screen.</p>	<p>Low $\tan \delta$ Good pulse characteristics</p>	<p>MKP B32651...654 B32612...614 B32671L...672L B32601L...602L</p> <p>MFP B32632...634</p>
<p>EMI suppression</p>   <p>A capacitor/resistor network on the input of a device suppresses external noise pulses that could damage its components.</p>	<p>Low flammability</p>	<p>MKP B32921...928 B32911...916 B32021...026 B81123</p>

Typical applications

Application	Requirements	Series
<p>Capacitive power supply</p>  <p>The capacitor C1 works as a voltage divider without thermal losses.</p>	<p>High capacitance stability</p>	<p>MKP B32651... 656 B32922*7xx ... B32924*7xx</p>