

Strap Varistors

HighE Series

Construction

- Round varistor element
- Coating: epoxy resin, flame-retardant to UL 94 V-0
- Bolt-holed strap terminals for screw fixing or soldering

Features

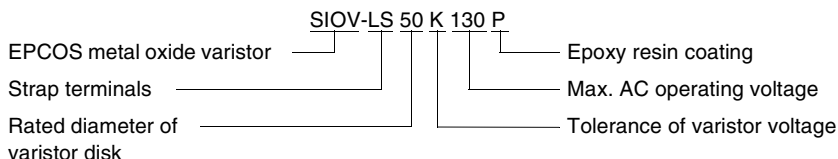
- Maximum load capacity with minimum size
- PSpice models

Approvals

- UL (all types)
- CSA (all types)

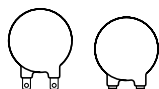
Type designation

Detailed description of coding system on page 39, chapter "General Technical Information"



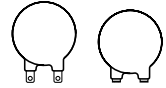
General technical data

Climatic category	40/85/56	in accordance with IEC 60068-1
LCT	- 25 °C	
UCT	+ 85 °C	
Damp heat, steady state (93 % r.h., 40 °C)	56 days	in accordance with IEC 60068-2-3
Operating temperature	- 25 ... + 85 °C	in accordance with CECC 42 000
Storage temperature	- 25 ... + 110 °C	
Electric strength	≥ 2,5 kV _{RMS}	in accordance with CECC 42 000
Insulation resistance	≥ 10 MΩ	in accordance with CECC 42 000
Response time	< 25 ns	


Strap Varistors
HighE Series
Maximum ratings ($T_A = 85\text{ °C}$)

Type	Ordering code	Type	Ordering code	V_{RMS}	V_{DC}	i_{max} 8/20 μ s	W_{max} (2 ms)	P_{max}
SIOV-		SIOV-		V	V	A	J	W
LS50K130P	B72250 L0131K100	LS50K130PK2	B72250 L0131K102 ¹⁾	130	170	75000	490	1,5
LS50K150P	B72250 L0151K100	LS50K150PK2	B72250 L0151K102 ¹⁾	150	200	75000	570	1,5
LS50K230P	B72250 L0231K100 ¹⁾	LS50K230PK2	B72250 L0231K102 ¹⁾	230	300	75000	730	1,5
LS50K250P	B72250 L0251K100 ¹⁾	LS50K250PK2	B72250 L0251K102 ¹⁾	250	320	75000	800	1,5
LS50K275P	B72250 L0271K100	LS50K275PK2	B72250 L0271K102 ¹⁾	275	350	75000	860	1,5
LS50K320P	B72250 L0321K100	LS50K320PK2	B72250 L0321K102 ¹⁾	320	420	75000	1000	1,5
LS50K385P	B72250 L0381K100 ¹⁾	LS50K385PK2	B72250 L0381K102 ¹⁾	385	505	75000	1200	1,5
LS50K420P	B72250 L0421K100 ¹⁾	LS50K420PK2	B72250 L0421K102 ¹⁾	420	560	75000	1500	1,5
LS50K440P	B72250 L0441K100 ¹⁾	LS50K440PK2	B72250 L0441K102 ¹⁾	440	585	75000	1580	1,5
LS50K460P	B72250 L0461K100 ¹⁾	LS50K460PK2	B72250 L0461K102 ¹⁾	460	615	75000	1650	1,5
LS50K550P	B72250 L0551K100	LS50K550PK2	B72250 L0551K102 ¹⁾	550	745	75000	1500	1,5

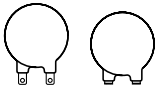
1) available upon request


Characteristics ($T_A = 25\text{ °C}$)

Types	V_V (1 mA) V	ΔV_V (1 mA) %	Max. clamp. voltage		C_{typ} (1 kHz) pF	Derating curve Page	V/I char- acteristic Page
			v V	i A			
LS50K130P / LS50K130PK2	205	± 10	340	500	10500	262	284
LS50K150P / LS50K150PK2	240	± 10	395	500	9500	262	284
LS50K230P / LS50K230PK2	360	± 10	595	500	6000	262	284
LS50K250P / LS50K250PK2	390	± 10	650	500	5600	262	284
LS50K275P / LS50K275PK2	430	± 10	710	500	5500	262	284
LS50K320P / LS50K320PK2	510	± 10	840	500	4300	262	284
LS50K385P / LS50K385PK2	620	± 10	1025	500	3500	262	284
LS50K420P / LS50K420PK2	680	± 10	1120	500	3300	262	284
LS50K440P / LS50K440PK2	715	± 10	1180	500	3000	262	284
LS50K460P / LS50K460PK2	750	± 10	1240	500	2900	262	284
LS50K550P / LS50K550PK2	910	± 10	1500	500	2400	262	284

Varistor elements without coating (suitable for soldering) are available upon request.

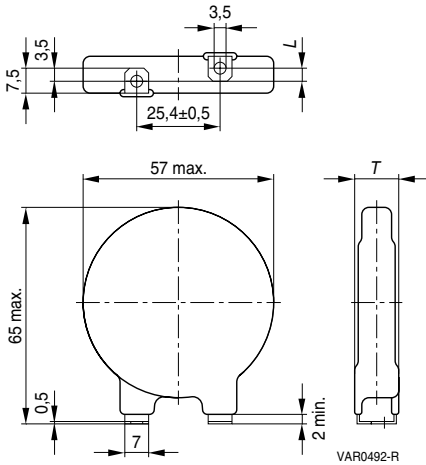
Designation: SIOV-D50K ... K6



Strap Varistors

HighE Series

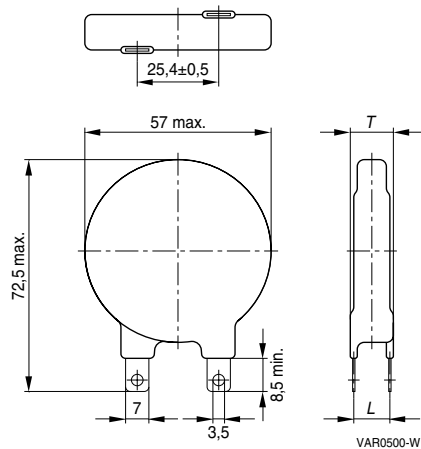
Dimensions



SIOV-LS50K ... P

Weight: 30 ... 90 g

Type SIOV-	T_{\max} mm	$L \pm 1,0$ mm
LS50K130P	8,1	- 3,5
LS50K150P	8,3	- 3,2
LS50K230P	9,0	- 2,0
LS50K250P	9,2	- 1,8
LS50K275P	9,4	- 1,6
LS50K320P	9,9	- 1,1
LS50K385P	10,6	- 0,4
LS50K420P	10,9	0,0
LS50K440P	11,1	0,2
LS50K460P	11,4	0,4
LS50K550P	12,3	1,2



SIOV-LS50K ... PK2

Weight: 30 ... 90 g

Type SIOV-	T_{\max} mm	$L \pm 1,0$ mm
LS50K130PK2	8,1	4,4
LS50K150PK2	8,3	4,6
LS50K230PK2	9,0	5,3
LS50K250PK2	9,2	5,5
LS50K275PK2	9,4	5,8
LS50K320PK2	9,9	6,3
LS50K385PK2	10,6	6,9
LS50K420PK2	10,9	7,3
LS50K440PK2	11,1	7,5
LS50K460PK2	11,4	7,8
LS50K550PK2	12,3	8,7

Herausgegeben von EPCOS AG

Unternehmenskommunikation, Postfach 80 17 09, 81617 München, DEUTSCHLAND

☎ ++49 89 636 09, FAX (0 89) 636-2 26 89

© EPCOS AG 2002. Vervielfältigung, Veröffentlichung, Verbreitung und Verwertung dieser Broschüre und ihres Inhalts ohne ausdrückliche Genehmigung der EPCOS AG nicht gestattet.

Bestellungen unterliegen den vom ZVEI empfohlenen Allgemeinen Lieferbedingungen für Erzeugnisse und Leistungen der Elektroindustrie, soweit nichts anderes vereinbart wird.

Diese Broschüre ersetzt die vorige Ausgabe.

Fragen über Technik, Preise und Liefermöglichkeiten richten Sie bitte an den Ihnen nächstgelegenen Vertrieb der EPCOS AG oder an unsere Vertriebsgesellschaften im Ausland. Bauelemente können aufgrund technischer Erfordernisse Gefahrstoffe enthalten. Auskünfte darüber bitten wir unter Angabe des betreffenden Typs ebenfalls über die zuständige Vertriebsgesellschaft einzuholen.

Published by EPCOS AG

Corporate Communications, P.O. Box 80 17 09, 81617 Munich, GERMANY

☎ ++49 89 636 09, FAX (0 89) 636-2 26 89

© EPCOS AG 2002. Reproduction, publication and dissemination of this brochure and the information contained therein without EPCOS' prior express consent is prohibited.

Purchase orders are subject to the General Conditions for the Supply of Products and Services of the Electrical and Electronics Industry recommended by the ZVEI (German Electrical and Electronic Manufacturers' Association), unless otherwise agreed.

This brochure replaces the previous edition.

For questions on technology, prices and delivery please contact the Sales Offices of EPCOS AG or the international Representatives.

Due to technical requirements components may contain dangerous substances. For information on the type in question please also contact one of our Sales Offices.