



SAW multimedia filters

Series/Type: X6864D

The following products presented in this data sheet are being withdrawn.

Ordering Code	Substitute Product	Date of Withdrawal	Deadline Last Orders	Last Shipments
B39438X6864N201		2011-01-14	2011-09-30	2012-09-30

For further information please contact your nearest EPCOS sales office, which will also support you in selecting a suitable substitute. The addresses of our worldwide sales network are presented at www.epcos.com/sales.



SAW Components

X 6864 D

Bandpass Filter

43,75 MHz

Data Sheet

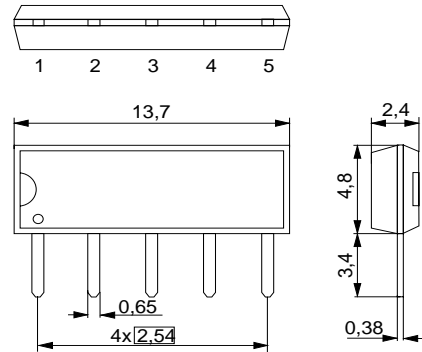
Duroplast package **SIP5D**

Features

- IF filter for digital cable TV
- Standard IC package

Terminals

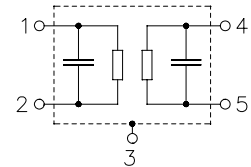
- Tinned CuFe alloy



Dimensions in mm, approx. weight 0,5 g

Pin configuration

- 1 Input
- 2 Input - ground
- 3 Chip carrier - ground
- 4 Output
- 5 Output



Type	Ordering code	Marking and package according to	Packing according to
X 6864 D	B39438-X6864-N201	C61157-A1-A21	F61074-V8049-Z000

Maximum ratings

Operable temperature range	T_A	-25/+65	°C	
Storage temperature range	T_{stg}	-40/+85	°C	
DC voltage	V_{DC}	5	V	between any terminals
AC voltage	V_{pp}	10	V	between any terminals



SAW Components

X 6864 D

Bandpass Filter

43,75 MHz

Data Sheet

Characteristics

Reference temperature: $T_A = 25 (45) \text{ }^\circ\text{C}$
 Terminating source impedance: $Z_S = 50 \text{ } \Omega$
 Terminating load impedance: $Z_L = 2 \text{ k}\Omega \parallel 3 \text{ pF}$

		min.	typ.	max.	
Center frequency (center between 10 dB points)	f_C	—	(43,75)	—	MHz
Insertion attenuation Reference level for the following data	α 43,81 (43,75) MHz	13,7	15,2	16,7	dB
Pass bandwidth $\alpha_{\text{rel}} \leq 3 \text{ dB}$	$B_{3\text{dB}}$	—	6,2	—	MHz
$\alpha_{\text{rel}} \leq 30 \text{ dB}$	$B_{30\text{dB}}$	—	7,6	—	MHz
Relative attenuation 40,71 (40,65) MHz	α_{rel}	—	3,0	—	dB
46,91 (46,85) MHz		—	2,2	—	dB
Lower sidelobe 35,06 ... 39,06 (35,00 ... 39,00) MHz		40,0	46,0	—	dB
39,06 ... 39,76 (39,00 ... 39,70) MHz		38,0	45,0	—	dB
Upper sidelobe 47,86 ... 49,66 (47,80 ... 49,60) MHz		38,0	44,0	—	dB
49,66 ... 55,06 (49,60 ... 55,00) MHz		41,0	47,0	—	dB
Reflected wave signal suppression 1,3 μs ... 6,0 μs after main pulse (test pulse 250 ns, carrier frequency 43,81 MHz)		42,0	52,0	—	dB
Feedthrough signal suppression 1,3 μs ... 1,2 μs before main pulse (test pulse 250 ns, carrier frequency 43,81 MHz)		50,0	56,0	—	dB
Group delay ripple (p-p) Aperture 50 kHz	$\Delta\tau$	—	40	—	ns
Impedance at 43,81 MHz Input: $Z_{\text{IN}} = R_{\text{IN}} \parallel C_{\text{IN}}$		—	1,3 \parallel 16,1	—	$\text{k}\Omega \parallel \text{pF}$
Output: $Z_{\text{OUT}} = R_{\text{OUT}} \parallel C_{\text{OUT}}$		—	1,1 \parallel 5,5	—	$\text{k}\Omega \parallel \text{pF}$
Temperature coefficient of frequency	TC_f	—	-72	—	ppm/K



SAW Components

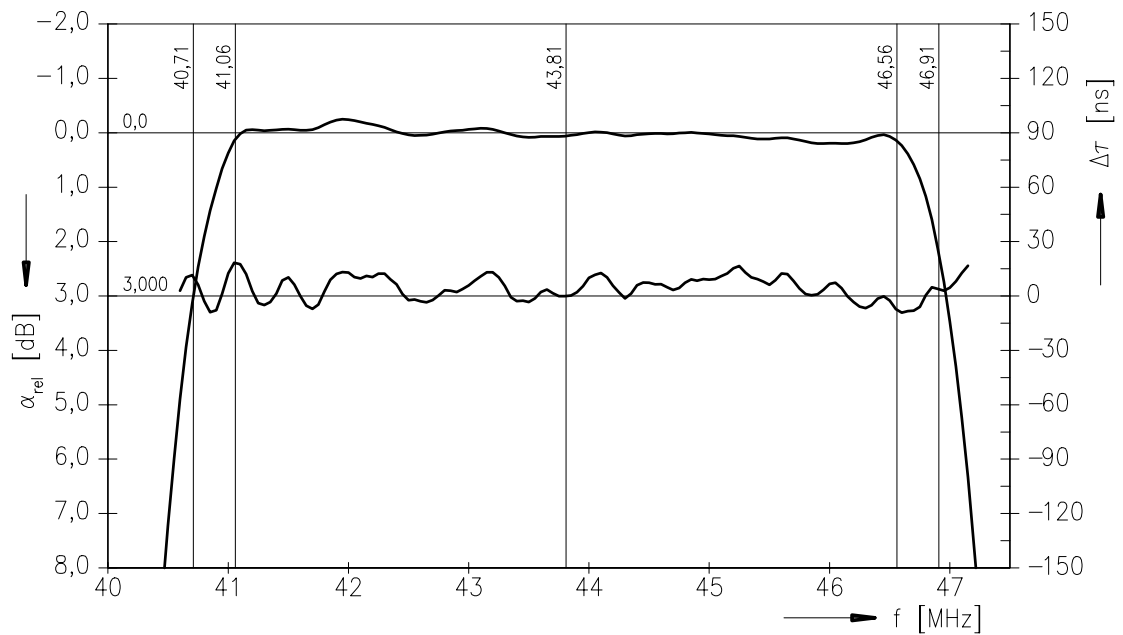
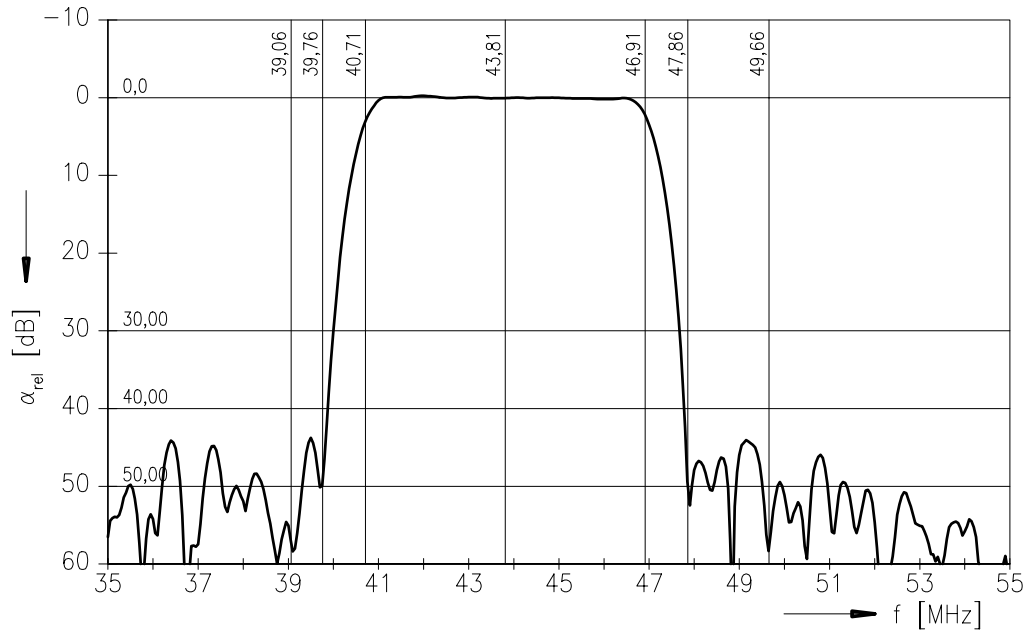
X 6864 D

Bandpass Filter

43,75 MHz

Data Sheet

Frequency response





SAW Components

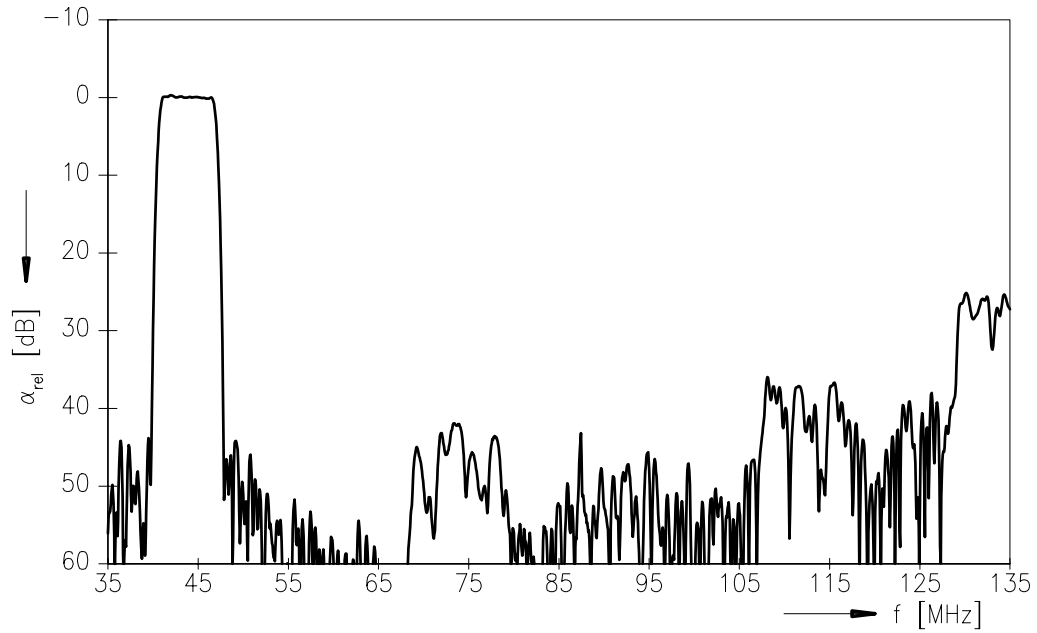
X 6864 D

Bandpass Filter

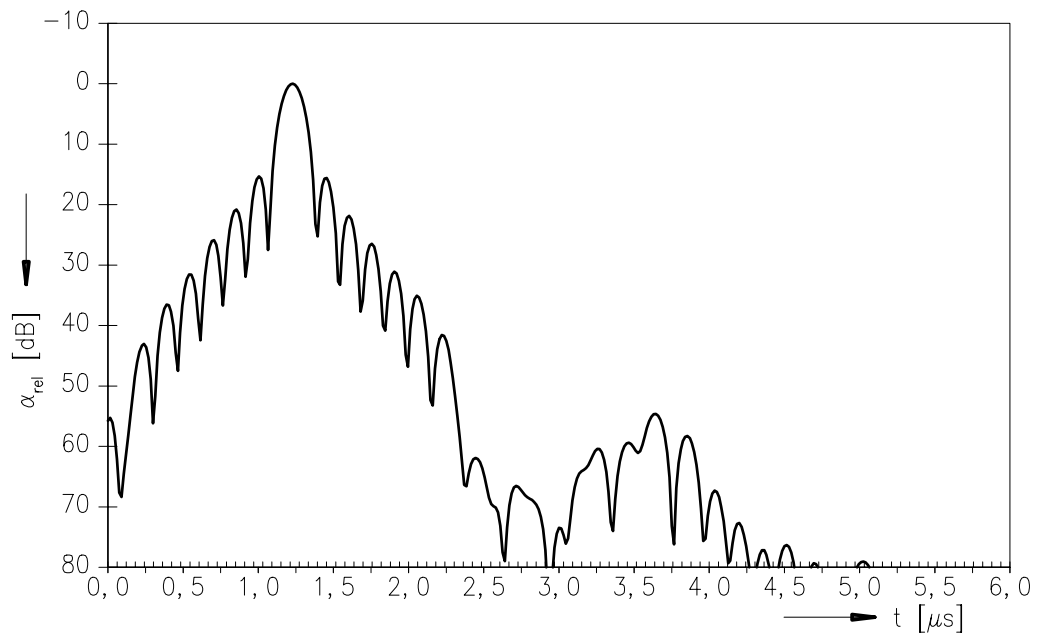
43,75 MHz

Data Sheet

Frequency response



Time domain response





SAW Components

X 6864 D

Bandpass Filter

43,75 MHz

Data Sheet

Published by EPCOS AG

Surface Acoustic Wave Components Division, SAW CE MM PD

P.O. Box 80 17 09, D-81617 München

© EPCOS AG 2003. All Rights Reserved. Reproduction, publication and dissemination of this brochure and the information contained therein without EPCOS' prior express consent is prohibited.

The information contained in this brochure describes the type of component and shall not be considered as guaranteed characteristics. Purchase orders are subject to the General Conditions for the Supply of Products and Services of the Electrical and Electronics Industry recommended by the ZVEI (German Electrical and Electronic Manufacturers' Association), unless otherwise agreed.

This brochure replaces the previous edition.

For questions on technology, prices and delivery please contact the Sales Offices of EPCOS AG or the international Representatives.

Due to technical requirements components may contain dangerous substances. For information on the type in question please also contact one of our Sales Offices.